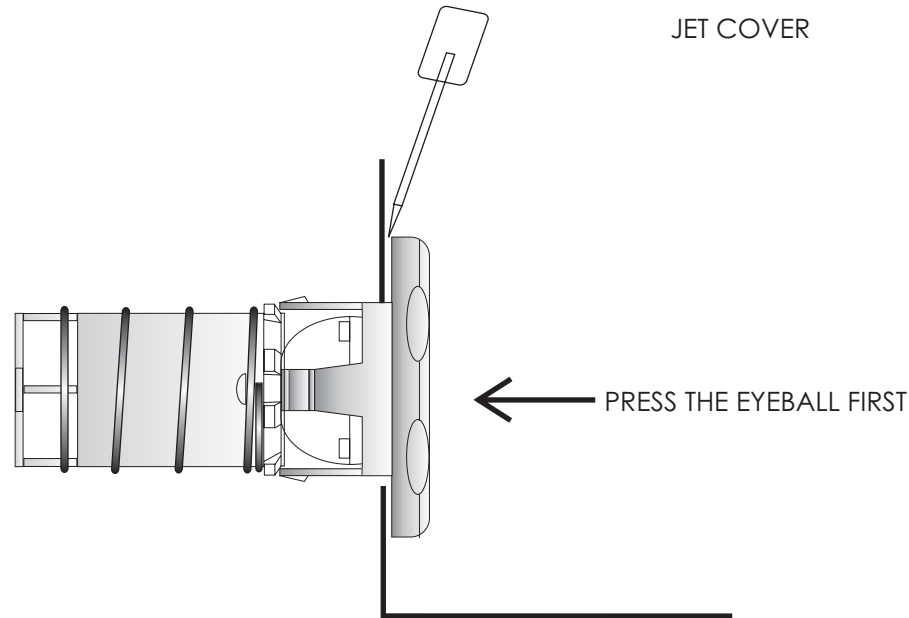
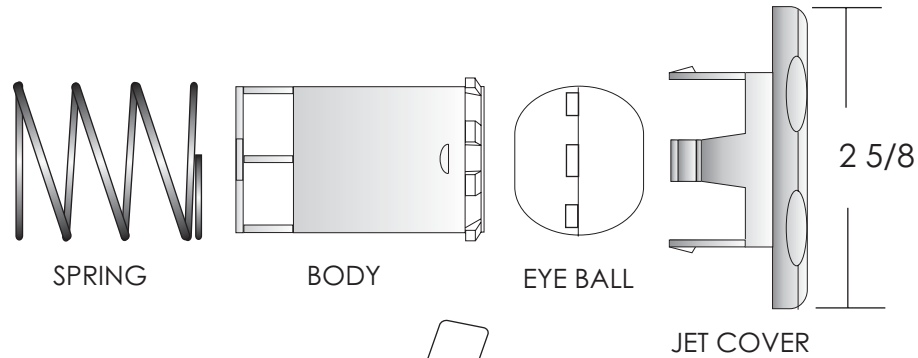


JET TYPE # 1



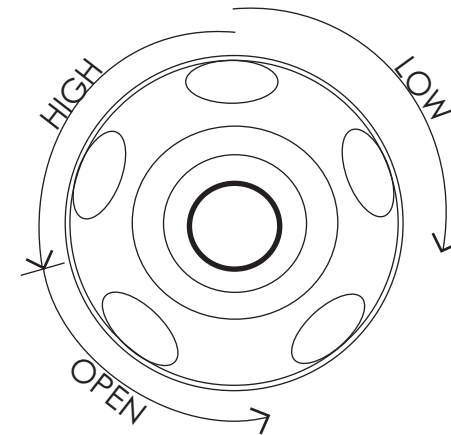
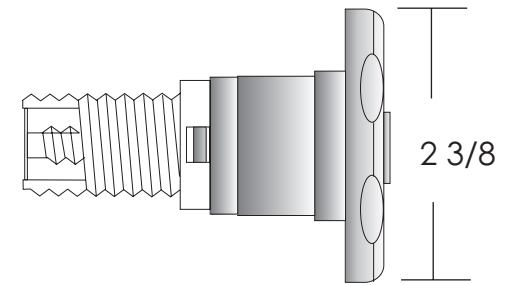
Disassembly:

1) Press the eyeball inwards with your thumb the eyeball will move freely when spring is compressed. Using the fingers, grasp the edge of the jet cover and pry the jet cover. It will snap out and clean throughly.

Assembly:

1) Assemble four pieces (spring, body, eyeball, and jet cover) as shown as above
 2) Insert into the body and lightly press in until the cover clicks into its position
 3) Use finger to rotate te eyeball into its position. If the assembly is seated, the eyeball will stay in the correct position

JET TYPE # 2



Disassembly:

1) Turn Counter-clockwise

Assembly:

1) Turn clockwise