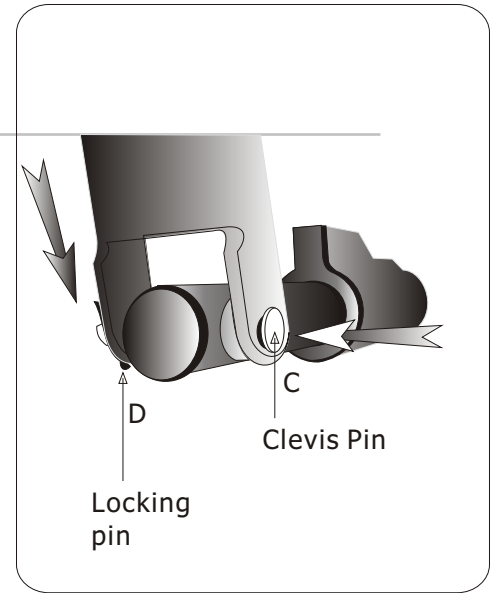
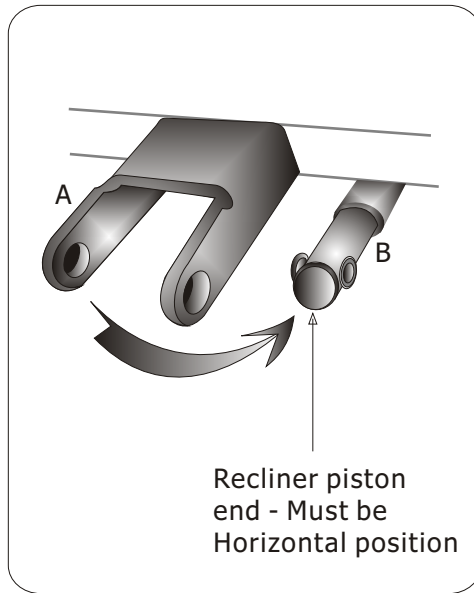
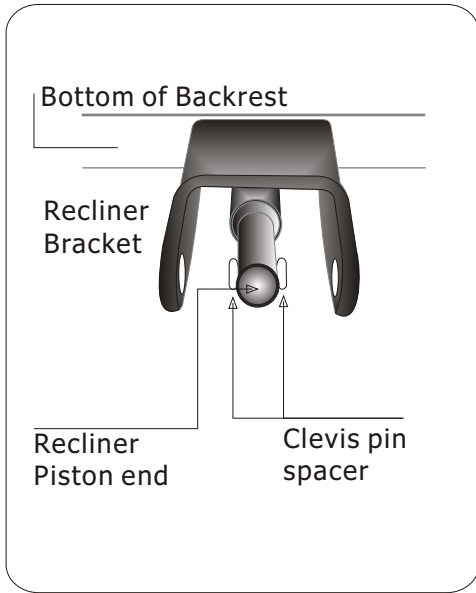
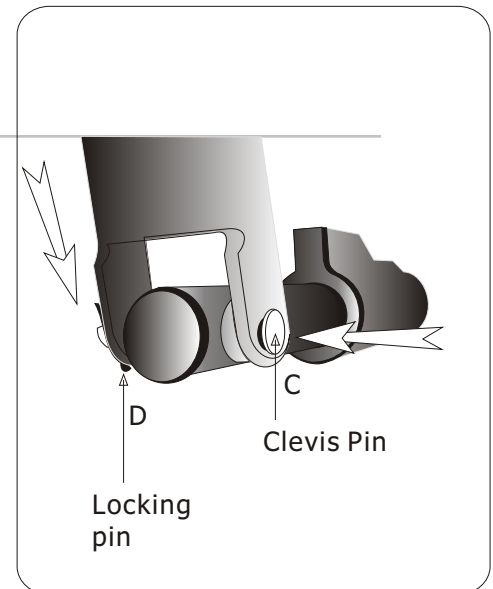
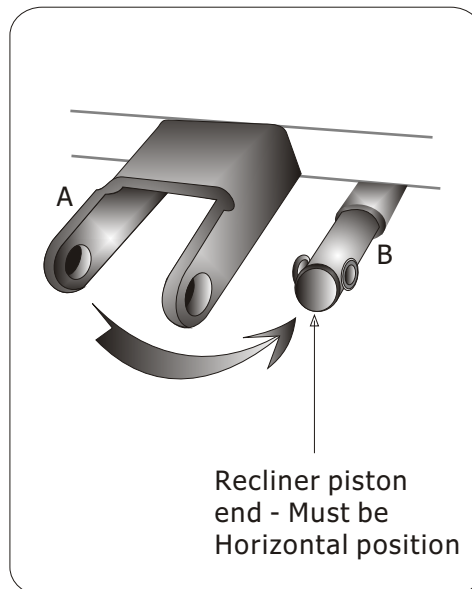
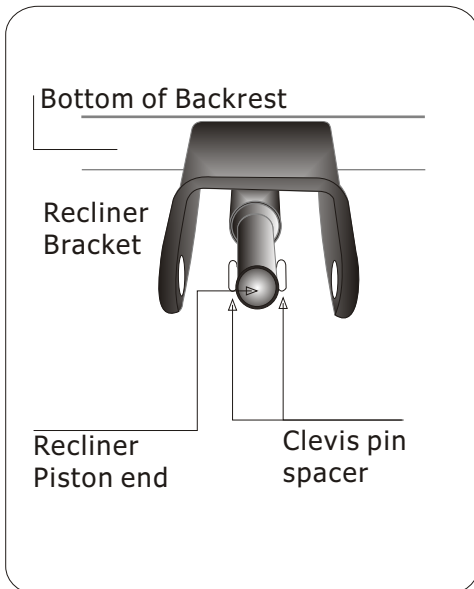


## CLÉO Recliner Piston End Attachment Instruction



1. Remove Clevis pin from recliner piston end and make sure it is in horizontal position.
2. Slowly raise up the backrest to aligned with recliner piston.
3. Insert Clevis Pin into the backrest bracket through recliner piston and secure with locking pin.

## CLÉO Recliner Piston End Attachment Instruction



1. Remove Clevis pin from recliner piston end and make sure it is in horizontal position.
2. Slowly raise up the backrest to aligned with recliner piston.
3. Insert Clevis Pin into the backrest bracket through recliner piston and secure with locking pin.